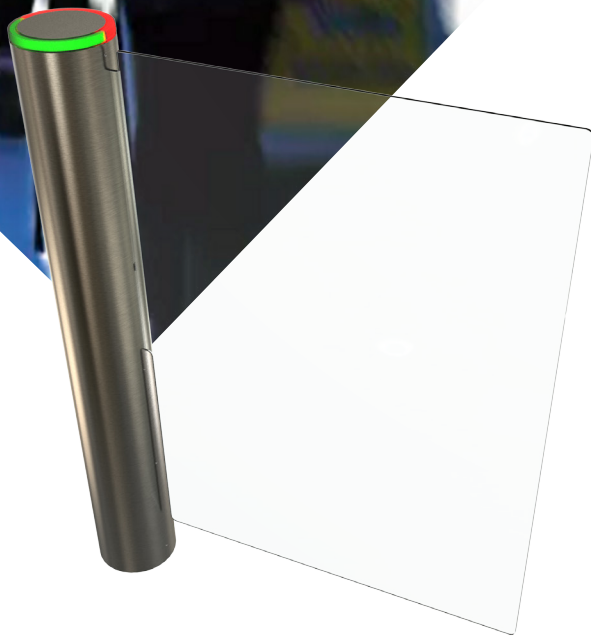


Swing Gate



AS AUTOMATIC
SYSTEMS

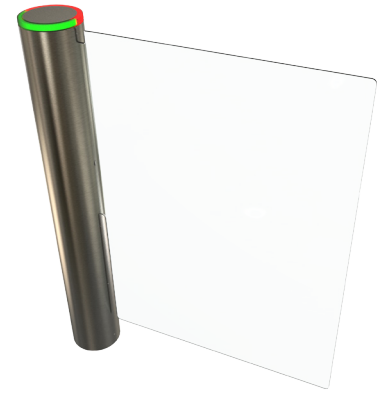
Pedestrian

Access controlled...
Future secured

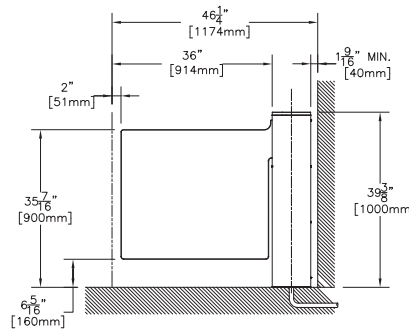
AccessLane

The AccessLane swing gate facilitates the passage of people with reduced mobility (wheelchair users, service staff with trolleys, bulky equipment, etc.) as well as during the evacuation of the building during an emergency.

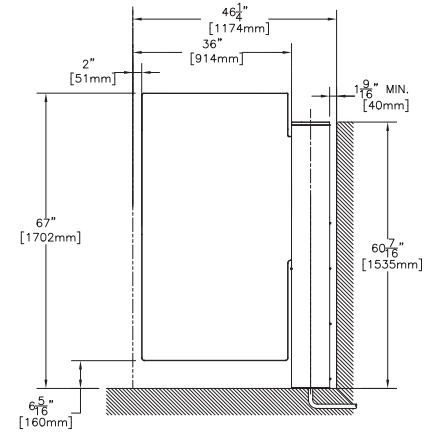
With its transparent, elegant design and minimal footprint, the AccessLane is designed to integrate perfectly into any architectural style while offering a high bidirectional throughput.



- Automatic swing gate
- Smooth and silent movement
- Breakaway feature in path of egress
- Obstacles available up to 72" (1800mm) in height
- Custom passage widths
- Bi-directional (swings in entry & exit direction)



AL933



AL934

Safety Swing Gate

The Safety Swing Gate (SSG) is a simple but efficient product designed to facilitate the evacuation of the building in case of an emergency. The SSG can be connected to the fire alarm system to unlock the door in case of an emergency.

The 36 in (914mm) standard passage width is ADA compatible for reduced mobility users, and can also be used by service staff with trolleys or bulky equipment.

The SSG was designed to be used in conjunction with Automatic Systems' security entrance lane products. Different configurations are available.



- Manual swing gate
- Panic bar for emergency exit
- Obstacles available up to 72" (1800mm) in height
- Custom passage widths
- Uni-directional (swings in exit direction)

