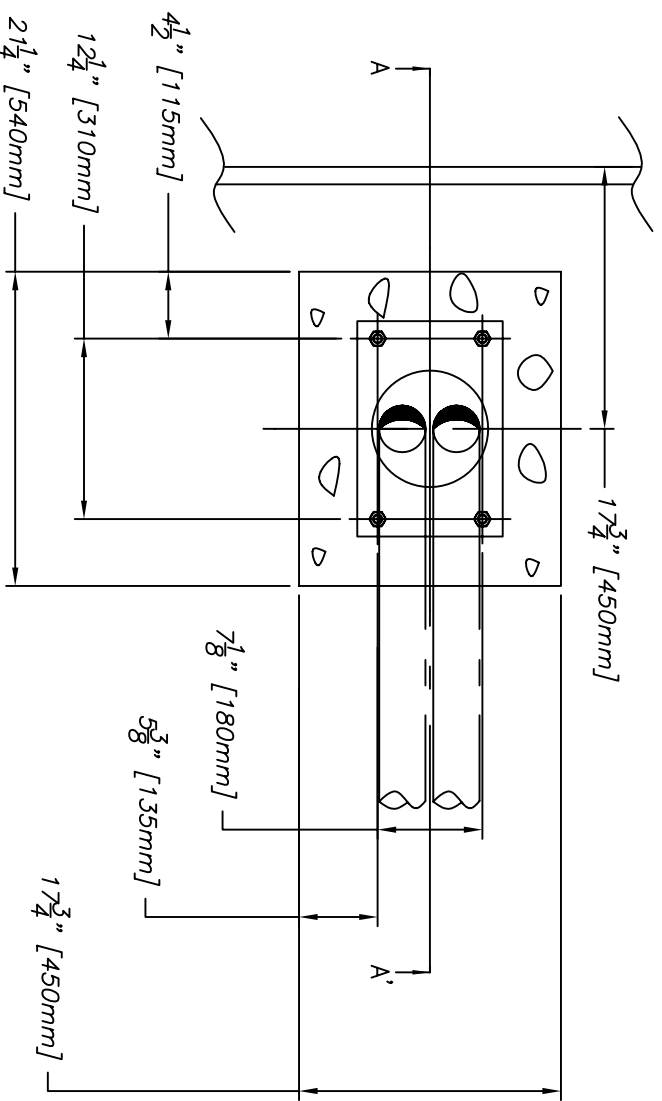
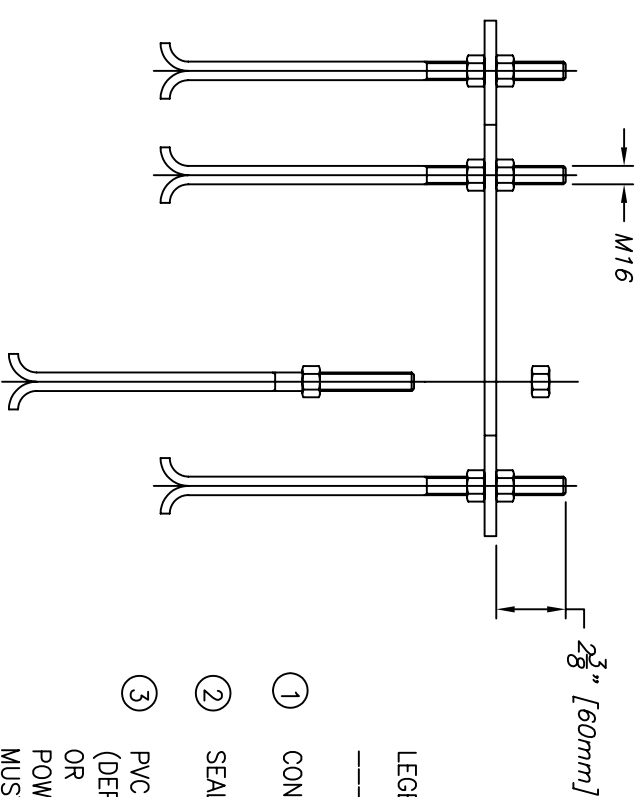


CONCRETE BASE SECTION A-A'

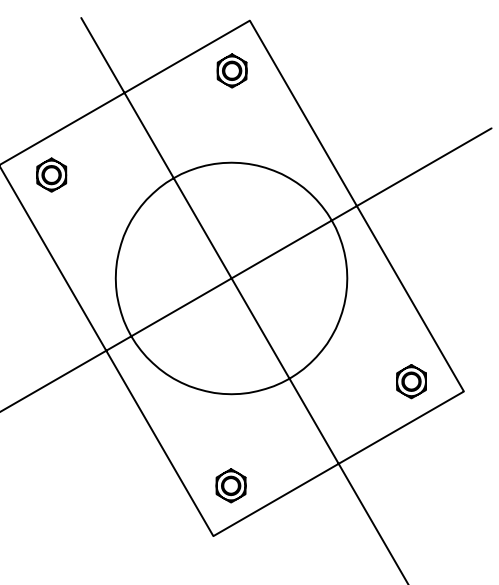
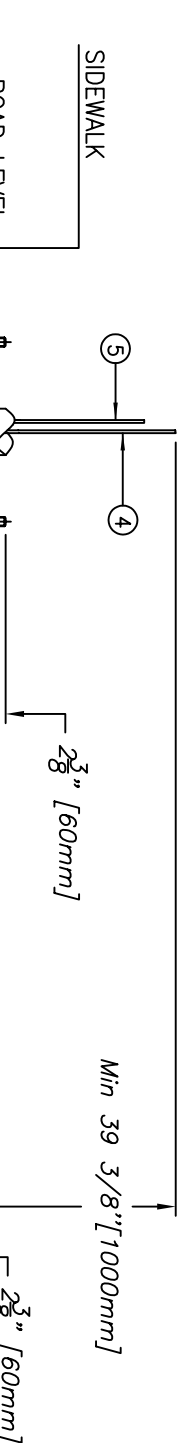


SEALING TEMPLATE DETAILS



LEGEND :

- ① CONCRETE BASE
- ② SEALING TEMPLATE
- ③ PVC TUBINGS 2 X 1" (DEPENDING OF OPTIONS OR INSTALLATION REQUIREMENTS) POWER AND CONTROL WIRES MUST BE IN SEPERATE TUBINGS
- ④ POWER SUPPLY 120VAC + GROUND
- ⑤ CONTROL WIRES (QTY: DEPENDING OF OPTIONS OR INSTALLATION REQUIREMENTS)



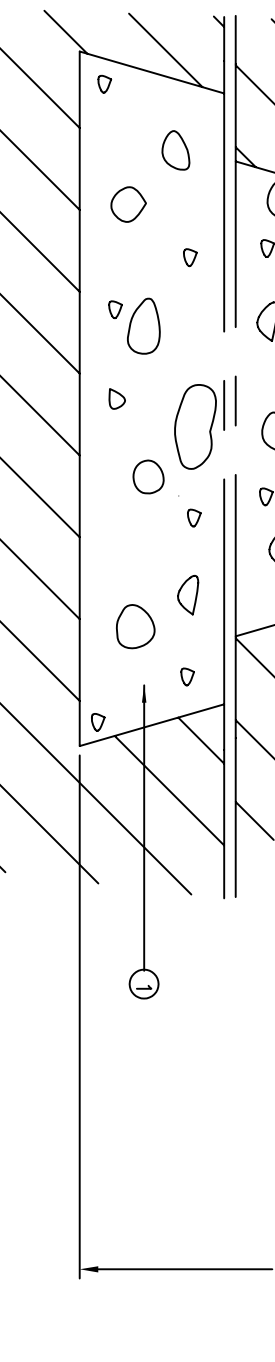
④ POWER SUPPLY 120VAC + GROUND

⑤ CONTROL WIRES (QTY: DEPENDING OF OPTIONS OR INSTALLATION REQUIREMENTS)

CONCRETE SPECIFICATIONS: 5000 psi [30MPa] MINIMUM

THIS DRAWING SHOW THE MINIMUM SPECIFICATIONS REQUIRED BUT THOSE SPECIFICATIONS DO NOT SUPERSEDE LOCAL CODES AND STANDARDS. THE CUSTOMER OR THE CONTRACTOR MUST RESPECT ALL ELECTRICAL AND BUILDING LOCAL CODES AND STANDARDS. THE CUSTOMER OR CONTRACTOR MUST CONSULT A CIVIL OR ELECTRICAL ENGINEER.

THIS DRAWING IS A NORTH AMERICAN ADAPTATION OF THE DRAWING: CH1510-GB REV B



MATÉRIAU/MATERIAL	FIGIER	1909-IN-01-EN
FABRICATION	TRAITEMENT/TREATMENT	BRABER LES ARÊTES VIVES BREAK ALL SHARP EDGES
Nb./App. [POIDS/WEIGHT]	SURFACE	FINI/FINISH
LES INFORMATIONS CONTENUES SUR LES DESSINS DE ASA INC. SONT CONFIDENTIELLES ET SONT LA PROPRIÉTÉ DE ASA INC. SONT INTERDITES SANS LA PERMISSION ÉCRITE DE ASA INC. INFORMATION DISCLOSED HERE IS CONFIDENTIAL AND IS THE PROPERTY OF ASA INC. ANY REPRODUCTION, DISTRIBUTION OR USE IS PROHIBITED WITHOUT A WRITTEN CONSENT BY ASA INC.		
IMPERIAL	METRIC	
X/X ±1/32"	X ±1mm	
X.XX ±0.030"	X.X ±0.5mm	
X.XXX ±0.005"	X.XX ±0.05mm	
ANGLES	± 1/2°	
UNLESS OTHERWISE NOTED SAUF SI INDIGUES AUTREMENT		

DIMENSIONS	FORMAT	REV.	DATE	MODIFICATIONS/CHANGES	PAR/BY
IMP	B				
TITRE CONCRETE BASE FOR BL52/53					
DESSINÉ PAR	AG	ÉCHELLE/SCALE	DATE	FEUILLE/SHEET	DE/OF
VERIFIÉ PAR		No. DESSIN/DWG. No.	12-06-08	1	1
CHECKED BY		1909-IN-01-EN			REV. A

