

CL656

Technical Datasheet

NAM-CL 656-FT-EN-C

ClearLock

AUTOMATIC SYSTEMS

Access controlled...
Future secured

DESCRIPTION



The **ClearLock** booths are designed to provide high security entrance control and management of pedestrian flow.

Based on more than 20 years' experience, their design and robust structure allow for easy integration into prestigious locations such as office buildings, airports, laboratories and sensitive sites.

The high-security **ClearLock 656** booth is equipped with two mobile obstacles which provide a free passage width of **35 7/16 in [900 mm]**, and external dimensions of **58 1/2 in [1,485 mm]** (width) x **74 3/4 in [1,900 mm]** (length).



- 1. Cabin top** made of painted steel to hold the drive mechanism and the control board unit of the security booth.
- 2. Mobile obstacles** in clear laminated glass 7/8 in [22 mm] thick BR2 P6B (Bullet & Vandalism Resistant).
- 3. Curved side walls** made of painted steel and clear laminated glass 7/8 in [22 mm] thick BR2 P6B (Bullet & Vandalism Resistant).
- 4. Floor resin** 1 in [25 mm] thick for installation on finished floor.
- 5. Single Person** detection device.
- 6. Control board unit & motorization** comprised of:
 - Programmable electronic board
 - Remote console for operating mode adjustment
 - Voice message device
 - Connection terminals including RS485 interface port
 - Input / Output interface board
 - 24V DC power supply
 - Back-up batteries (2) ensuring 100 cycles in case of power failure
 - Two 24V DC motors controlled by the programmable electronic board, ensuring fast movements with progressive deceleration at the end of the cycle.
 - Electro-mechanical locking of the obstacles (with programmable unlocking in case of power failure)
 - Safety cells for reopening in case a presence is detected in front of the obstacles (anti-pinch safety)
- 7. Overhead lighting** of the passageway.
- 8. Functional pictograms:** red and green LED displays indicating the status of the security booth.
- 9. Push buttons** for emergency opening and intercom.
- 10. Mechanical lock** for external door.
- 11.** Removable **internal ceiling** panel for maintenance.

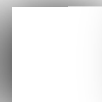
STANDARD RAL COLORS



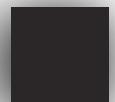
RAL 7035
Light grey



RAL 9011
Black



RAL 9010
White



RAL 8019
Dark brown

All other colors must be specified when ordering.

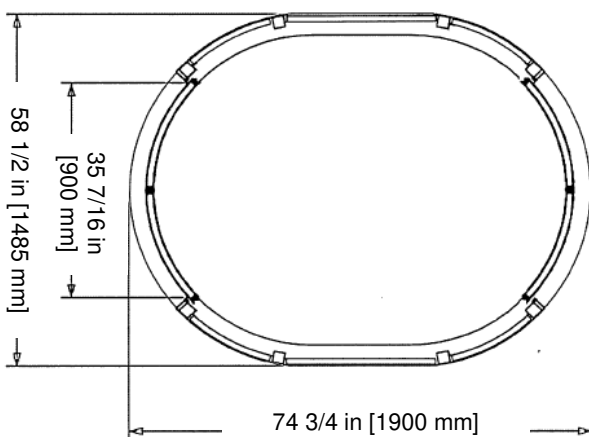
SURFACE TREATMENT

All mechanical parts have received electro-zinc treatments to prevent corrosion, according to RoHS norms

STANDARD TECHNICAL CHARACTERISTICS

Power supply	120V single phase, 60 Hz, 10A + ground.
Gear motor	Reversible
Torque limiter	Electronic
Speed setting	Programmable
Passages <i>(excluding activation time of the access control device)</i>	6 people / min
Power consumption	200 W
Weight	2650 lb. [1,200 kg] depending on glass
Operating T°	from 14° to 131°F [-10° to +55°C]
Max relative humidity	90%, without condensation
Protection index	IP40
Shock resistance	IK09 housing BR2 (EN1063) Bullet resistant glass P6B (EN 356) Vandalism resistant glass
MCBF	1 Mo cycles or 2 years with recommended maintenance
MTTR	1 hour

STANDARD DIMENSIONS (INCHES & MM)



OPTIONS

1. Entry and / or Exit opening sensor
2. Metal detector sensor in Entry
3. Left object detection sensor (with metal detector in Entry)
4. Additional Remote console for secondary security location
5. RS485 LAN converter for network consoles
6. BR3 P6B bullet & vandalism resistant glass (mobile obstacles and curved side walls)
7. Housing with non-standard RAL color paint or flat finish paint
8. Housing 304L stainless steel (brushed or mirror polish)
9. Internal column for readers and accessories
10. Tinted glass (mobile obstacles and curved side panels)
11. Frame for recessed installation



For restrictions on options, please speak to your sales representative.

WORK TO BE PROVIDED BY OTHERS (NOT SUPPLIED)

- Floor anchors
- Power supply
- Connection between booth and access control device



Refer to the installation drawing.

