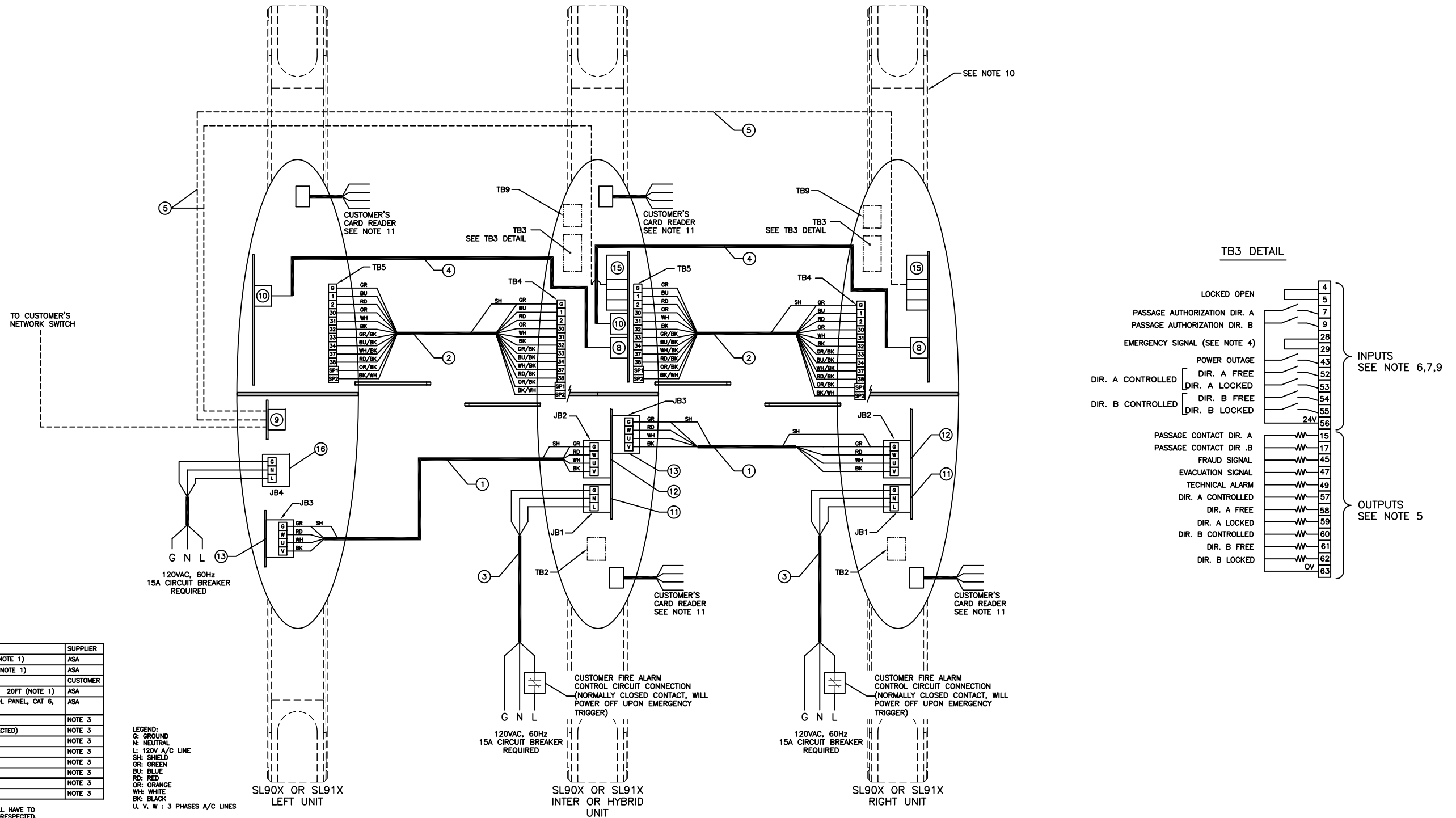


ELECTRICAL CONNECTIONS



FUSE TABLE:

#	LOCATION	QTY	RATINGS
FU1	TB2	1	3A, FAST, UL LISTED
FU2	TB9	1	500mA, FAST, UL LISTED
FU3	TB9	1	2A, FAST, UL LISTED

#	DESCRIPTION	SUPPLIER
1	MOTOR CABLE, 4 COND. 16GA BRAIDED SHIELDED, 7/16" DIA. X 20FT (NOTE 1)	ASA
2	LOW VOLTAGE CABLE, 12 COND. 18GA, SHIELDED, 11/32" DIA. X 20FT (NOTE 1)	ASA
3	POWER CABLE, 3 COND. 12GA, (NOTE 2)	CUSTOMER
4	AS1162 INTERCONNECTION NETWORK CABLE (BLUE), CAT 6, 1/4" DIA. X 20FT (NOTE 1)	ASA
5	INTERCONNECTION NETWORK CABLE (WHITE) FOR TOUCH SCREEN CONTROL PANEL, CAT 6, 1/4" DIA X 25 OR 50 FT.(IF OPTION SELECTED) (NOTE 1)	ASA
8	MASTER AS1162 BOARD	NOTE 3
9	NETWORK SWITCH FOR TOUCH SCREEN CONTROL PANEL (IF OPTION SELECTED)	NOTE 3
10	SLAVE AS1162 BOARD	NOTE 3
11	POWER CONNECTION BOX - JB1	NOTE 3
12	MASTER MOTOR INTERCONNECTION BOX - JB2	NOTE 3
13	SLAVE MOTOR INTERCONNECTION BOX - JB3	NOTE 3
15	PLC: TELEMECANIQUE M340	NOTE 3
16	OPTIONAL POWER CONNECTION BOX - JB4 (SEE NOTE 8)	NOTE 3

LEGEND:
G: GROUND
N: NEUTRAL
L: 120V A/C LINE
SH: SHIELD
GR: GREEN
BU: BLUE
RD: RED
OR: ORANGE
WH: WHITE
BK: BLACK
U, V, W : 3 PHASES A/C LINES

- NOTE 1: IF THE INSTALLATION REQUIRES LONGER CABLES, THE CUSTOMER WILL HAVE TO SUPPLY THEM. ALL THE CABLE SPECIFICATIONS INDICATED MUST BE RESPECTED.
- NOTE 2: AS A REFERENCE ONLY. RESPECT ALL LOCAL STANDARDS AND LAWS.
- NOTE 3: PARTS INSTALLED INSIDE THE UNIT AT THE FACTORY.
- NOTE 4: ALTERNATE CONNECTION TO TRIGGER THE GLASS OBSTACLES OPENING IN EMERGENCY SITUATION. CUTTING THE POWER SUPPLY TO THE GATE IS RECOMMENDED.
- NOTE 5: 24V ON PIN WHEN OUTPUT IS TRIGGERED, USE 24V TO POWER RELAY ONLY.
- NOTE 6: CUSTOMER TO PROVIDE DRY CONTACT FOR EACH INPUT.
- NOTE 7: ALL INPUTS ARE NORMALLY OPEN, EXCEPT "EMERGENCY SIGNAL" AND "LOCKED OPEN" WHICH ARE NORMALLY CLOSED.
- NOTE 8: ELECTRICAL CIRCUIT NEEDED IN LEFT UNIT ONLY IF "120V SERVICE OUTLET" OPTION IS SELECTED.
- NOTE 9: FOR LANE CONFIGURATION VIA DRY CONTACTS, INPUTS 52 TO 55 MUST BE USED. THESE INPUTS HAVE TO BE PULSED (NOT LATCHED).
- NOTE 10: THE EXTENSIONS ARE OPTIONAL AND DO NOT IMPACT THE ELECTRICAL CONNECTIONS AND THE CONDUITS.
- NOTE 11: READER INSTALLED IN EXTENSIONS IF OPTION SELECTED.

AUTOMATIC SYSTEMS MAKES NO REPRESENTATION AS TO THE PROPER POSITIONING OF THE SECURITY ENTRANCE LANES AT THE INSTALLATION LOCATION. ESTABLISHING THE LAYOUT AND PLACEMENT OF THE UNIT(S) AND DETERMINING COMPLIANCE WITH THE APPLICABLE BUILDING CODES, OTHER CODES, LAWS AND REGULATIONS IS THE SOLE RESPONSIBILITY OF THE PURCHASER. INSTALLATION MUST BE PERFORMED BY A QUALIFIED INSTALLER FOLLOWING MANUFACTURER'S INSTRUCTIONS, OTHERWISE AUTOMATIC SYSTEMS' WARRANTIES MAY BE VOID.

REV	DATE	MODIFICATIONS/CHANGES	PAR/BY
M	2012/08/10	ADD DETAIL ON TEMPLATE	JPS
L	2012/02/09	GENERAL REVISION	JPS

MATERIAU/MATERIAL		
-		
TRAITEMENT/TREATMENT		
-		
FINI/FINISH		
-		
NB./App.	POIDS/WEIGHT	SURFACE
-	-	-

LES INFORMATIONS CONTENUES SUR LES DESSINS DE ASA Inc. SONT CONFIDENTIELLES ET SONT LA PROPRIÉTÉ DE ASA Inc., TOUTES REPRODUCTIONS, DISTRIBUTIONS OU UTILISATIONS SONT INTERDITES SANS LA PERMISSION DE ASA Inc.

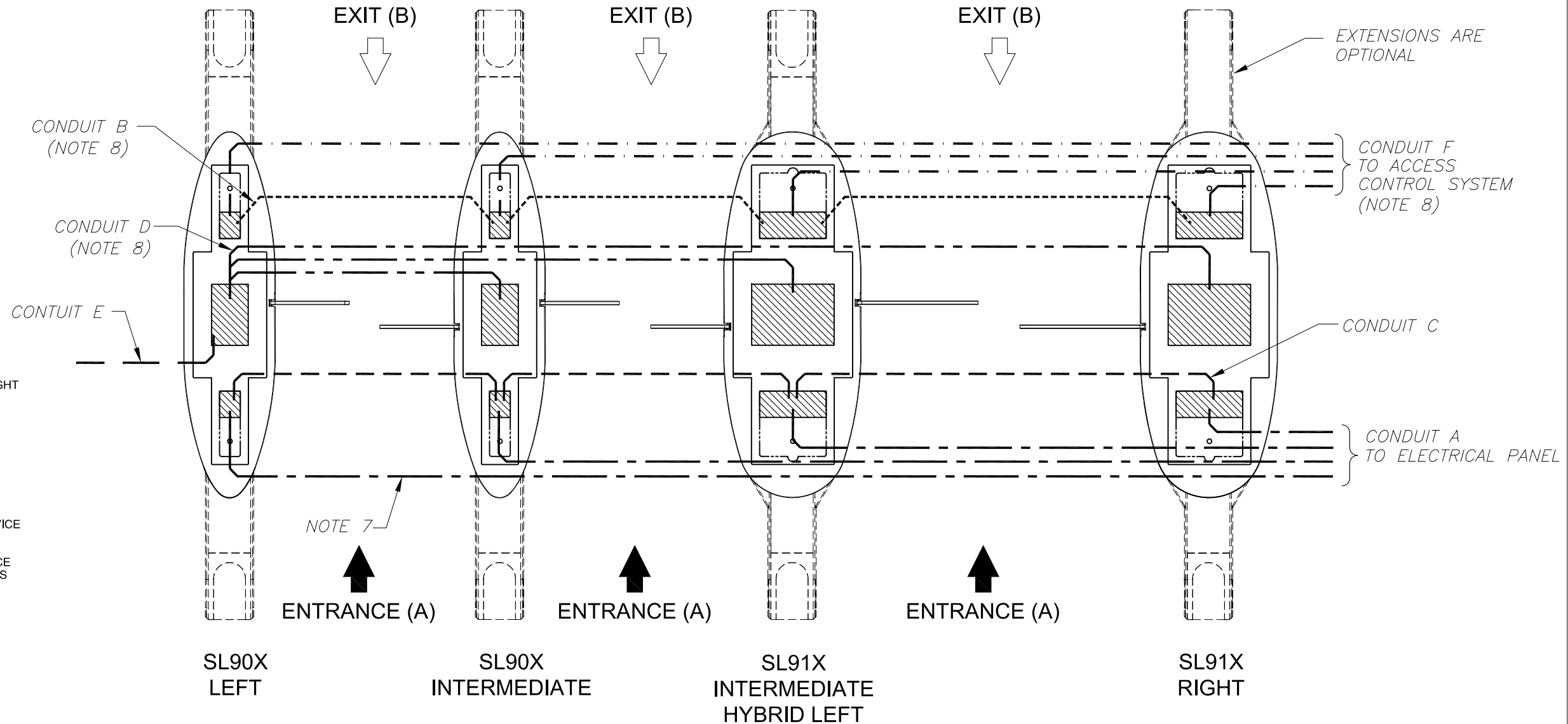
INFORMATION DISCLOSED HERE IS CONFIDENTIAL AND IS THE PROPERTY OF ASA Inc., ANY REPRODUCTION, DISTRIBUTION OR USE IS PROHIBITED WITHOUT A WRITTEN CONSENT BY ASA Inc.

<p>LES DIMENSIONS SONT EN POUÇES / DIMENSIONS ARE IN INCHES</p> <p>TOLERANCES</p> <table border="1"> <tr> <td>XXX</td> <td>± .005</td> </tr> <tr> <td>.XX</td> <td>± .010</td> </tr> <tr> <td>.X</td> <td>± .015</td> </tr> <tr> <td>FRAC.</td> <td>± 1/32</td> </tr> <tr> <td>ANGLES</td> <td>± 1/2°</td> </tr> </table> <p>SAUF SI INDICUÉS UNLESS OTHERWISE NOTED</p>	XXX	± .005	.XX	± .010	.X	± .015	FRAC.	± 1/32	ANGLES	± 1/2°	<p>EBARBER & ENLEVER LES ARÊTES VIVES. DIM SELON ASME Y14.5 1994. NE PAS MESURER SUR LE DESSIN.</p> <p>BREAK ALL SHARP EDGES AND CORNERS. ALL DIM PER ASME Y14.5 1994. DO NOT SCALE DRAWING</p>	<p>AUTOMATIC SYSTEMS BAR GROUP</p> <p>FIGIER / FILENAME NAM-SL-EL-EN-01.DWG</p>
XXX	± .005											
.XX	± .010											
.X	± .015											
FRAC.	± 1/32											
ANGLES	± 1/2°											
<p>TITRE: SL90X - SL91X GENERIC ELECTRICAL CONNECTIONS AND CONDUITS LAYOUT</p>												
<p>DESSINÉ PAR DRAWN BY JPS</p>	<p>VÉRIFIÉ PAR CHECKED BY PWI</p>	<p>NO. DE DESSIN/DWG. NO. REV 2012/01/26 1 3</p>										

CONDUITS LAYOUT

NOTES:

- 1- THE NUMBER OF UNITS AND LANES MAY VARY DEPENDING ON CUSTOMERS REQUIREMENTS. REFER TO CUSTOM LAYOUT TO AJUST THE NUMBER OF CONDUITS ACCORDINGLY.
- 2- ALL WIRING MUST MEET OR EXCEED STANDARDS AND CODES AND MUST BE INSTALLED BY A CERTIFIED TECHNICIAN.
- 2- 3' OF CABLE RUN MUST BE LEFT UNBURIED.
- 4- INSTALLATION OF A PULLING LINE BETWEEN EACH GATE IS RECOMMENDED.
- 5- SEE **NAM-SL-IN-04-EN** FOR CONTROL PANEL NETWORKING SPECIFICATIONS (IF APPLICABLE)
- 6- CONDUIT DETAILS:
 - CONDUIT A- USE : 120V POWER CABLE
SIZE : PVC 3/4" MIN
NOTE: 1 PER LANE, SEPARATE 15A POWER CIRCUIT IS REQUIRED FOR EACH UNITS, CABLES ARE SUPPLIED BY CUSTOMER.
 - CONDUIT B- USE : LOW VOLTAGE LOGIC INTERCONNECT CABLE AND CAN BUS CABLE (24V)
SIZE : PVC 3/4" MIN
NOTE: 1 PER LANE
 - CONDUIT C- USE: HIGH VOLTAGE MOTOR INTERCONNECT CABLE (240V)
SIZE : PVC 3/4" MIN
NOTE: 1 PER LANE
 - CONDUIT D- USE : NETWORK INTERCONNECT CABLE (FOR CONTROL PANEL)
SIZE : PVC 3/4" MIN
NOTE: 1 CONDUIT FROM EACH INTERMEDIATE AND RIGHT UNIT, TO THE LEFT UNIT (IF APPLICABLE).
 - CONDUIT E - USE: NETWORK CABLE TO CONTROL PANEL
SIZE : PVC 3/4" MIN. (IF APPLICABLE)
NOTE: 1 PER ARRAY, TO LEFT UNIT ONLY
 - CONDUIT F - USE: ACCESS CONTROL (READERS, BIOMETRIC,...) CABLE
SIZE : AS PER INTERGRATER SPECIFICATIONS.
NOTE: 1 PER UNIT (IF APPLICABLE)
- 7- POWER CONDUIT TO THE LEFT UNIT IS REQUIRED ONLY IF "120V SERVICE OUTLET" OPTION IS SELECTED.
- 8- A LARGER CONDUIT BETWEEN EACH UNIT COULD BE USED TO REPLACE CONDUITS B,D AND F FOR LOW VOLTAGE DC CABLES. THE CUSTOMER TAKES RESPONSIBILITY TO SIZE THE CONDUITS ACCORDINGLY.



- CONDUIT A
- CONDUIT B
- CONDUIT C
- CONDUIT D
- CONDUIT E
- CONDUIT F

REV	DATE	MODIFICATIONS/CHANGES	PAR/BY

MATERIAU/MATERIAL		
-		
TRAITEMENT/TREATMENT		
-		
FINI/FINISH		
-		
NB./App.	POIDS/WEIGHT	SURFACE
-	-	-
LES INFORMATIONS CONTENUES SUR LES DESSINS DE ASA Inc. SONT CONFIDENTIELLES ET SONT LA PROPRIÉTÉ DE ASA Inc., TOUTES REPRODUCTIONS, DISTRIBUTIONS OU UTILISATIONS SONT INTERDITES SANS LA PERMISSION DE ASA Inc.		
INFORMATION DISCLOSED HERE IS CONFIDENTIAL AND IS THE PROPERTY OF ASA Inc., ANY REPRODUCTION, DISTRIBUTION OR USE IS PROHIBITED WITHOUT A WRITTEN CONSENT BY ASA Inc.		

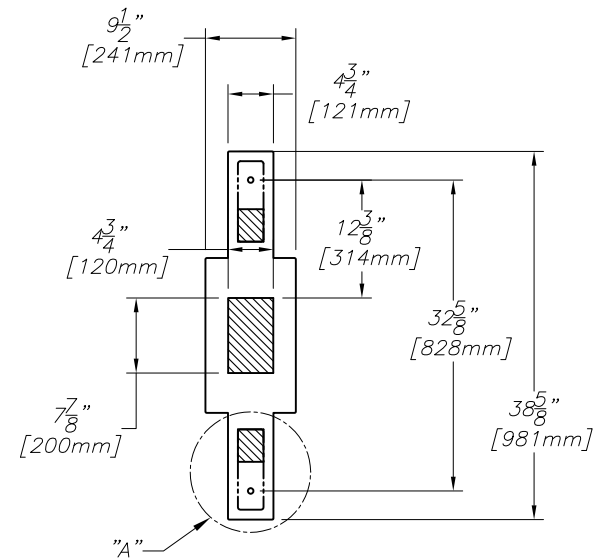
LES DIMENSIONS SONT EN POUÇES / DIMENSIONS ARE IN INCHES		EBARBER & ENLEVER LES ARÊTES VIVES. DIM SELON ASME Y14.5 1994. NE PAS MESURER SUR LE DESSIN	
TOLERANCES		BREAK ALL SHARP EDGES AND CORNERS. ALL DIM PER ASME Y14.5 1994. DO NOT SCALE DRAWING	
XXX	± .005	SAUF SI INDIQUÉS UNLESS OTHERWISE NOTED	
XX	± .010		
X	± .015		
FRAC.	± 1/32		
ANGLES	± 1/2°		
TITRE		ECHELLE/SCALE	FORMAT/SIZE
SL90X - SL91X		NTS	B
TITRE		DATE	FEUILLE/SHEET
GENERIC ELECTRICAL CONNECTIONS AND CONDUITS LAYOUT		2012/01/26	2
DESSINÉ PAR		VÉRIFIÉ PAR	NO. DE DESSIN/DWG. NO.
DRAWN BY JPS		CHECKED BY PWI	REV 3

FILENAME: NAM-SL-EL-EN-01.DWG

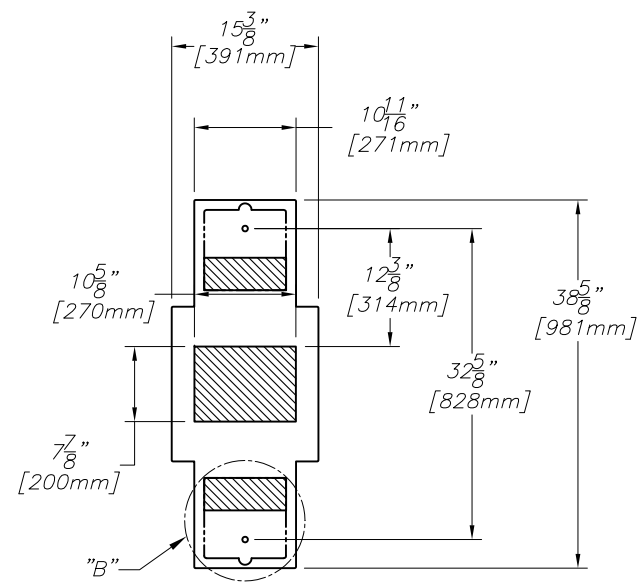
BASE PLATE POSITIONING LAYOUT

CONDUIT ENTRY ZONES

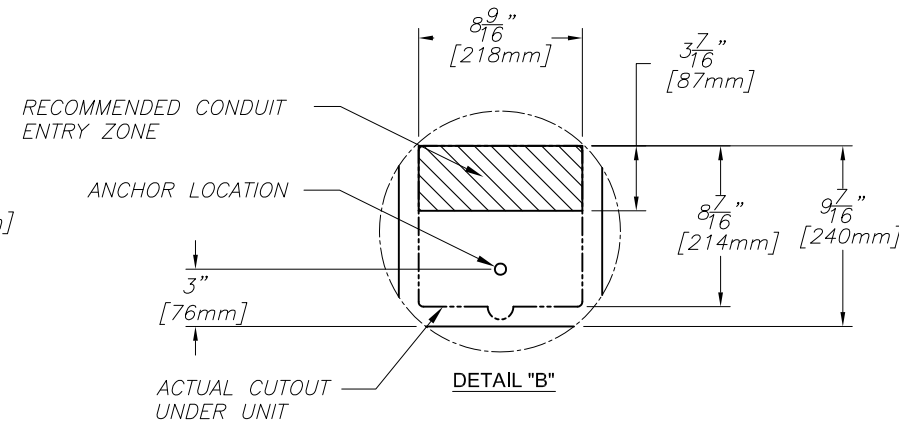
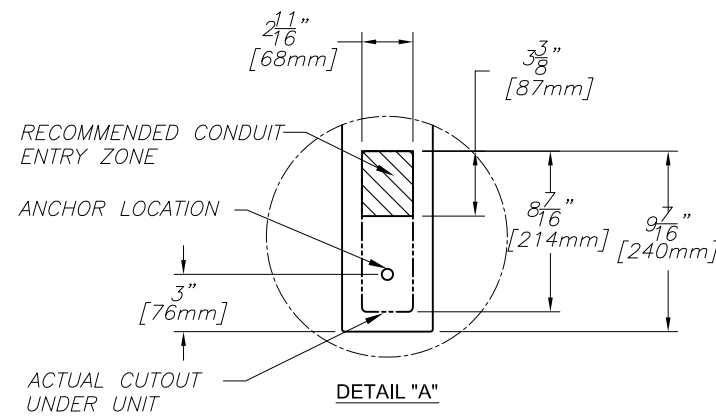
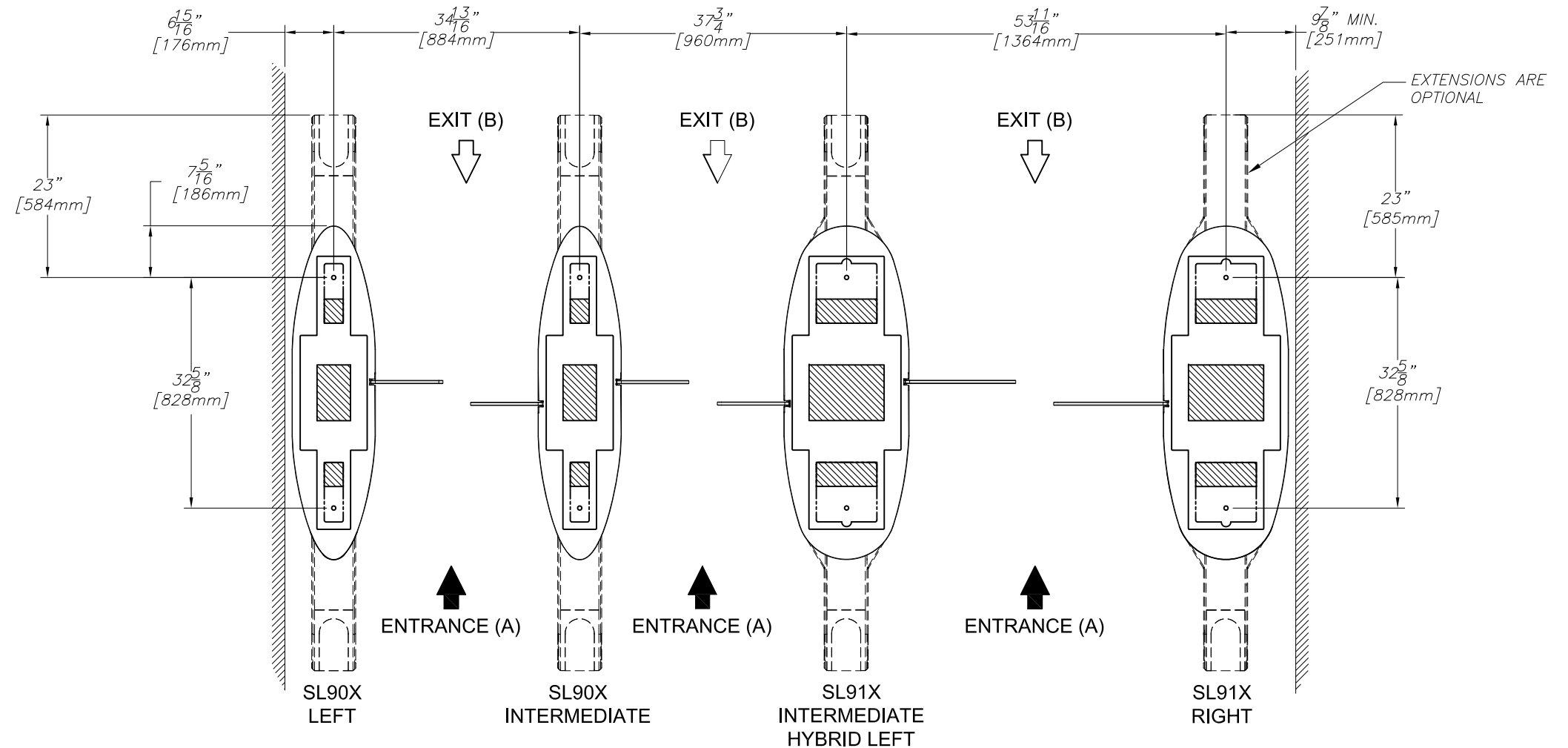
SHOWN IN HATCHED PATTERN



SL-90X BASE PLATE
REF.: 1922F00500



SL-91X BASE PLATE
REF.: 1922F00600



NOTES:

- THE NUMBER OF UNITS AND LANES MAY VARY DEPENDING ON CUSTOMERS REQUIREMENTS. REFER TO CUSTOMER LAYOUT FOR FINAL POSITIONING OF TEMPLATES
- ANCHORAGE: FIXED WITH CLAMPS.
- 1/2" X 5" ANCHORS PROVIDED BY ASA. (DRILL SIZE ϕ 1/2")
- THE EXTENSIONS ARE OPTIONAL AND DO NOT IMPACT THE ELECTRICAL CONNECTIONS AND THE CONDUITS.

REV	DATE	MODIFICATIONS/CHANGES	PAR/BY

MATERIAU/MATERIAL		
-		
TRAITEMENT/TREATMENT		
-		
FINI/FINISH		
-		
NB./App.	POIDS/WEIGHT	SURFACE
-	-	-

LES DIMENSIONS SONT EN POUCES / DIMENSIONS ARE IN INCHES	
TOLERANCES	
XXX	± .005
XX	± .010
X	± .015
FRAC.	± 1/32
ANGLES	± 1/2°
SAUF SI INDIQUÉS UNLESS OTHERWISE NOTED	

EBARBER & ENLEVER
LES ARÊTES VIVES.
DIM SELON ASME Y14.5
1994. NE PAS MESURER
SUR LE DESSIN
BREAK ALL SHARP
EDGES AND CORNERS.
ALL DIM PER ASME
Y14.5 1994. DO NOT
SCALE DRAWING

AUTOMATIC SYSTEMS
AER GROUP

FIGIER / FILENAME
NAM-SL-EL-EN-01.DWG

LES INFORMATIONS CONTENUES SUR LES DESSINS DE ASA Inc.
SONT CONFIDENTIELLES ET SONT LA PROPRIÉTÉ DE ASA Inc.,
TOUTES REPRODUCTIONS, DISTRIBUTIONS OU UTILISATIONS
SONT INTERDITES SANS LA PERMISSION DE ASA Inc.

INFORMATION DISCLOSED HERE IS CONFIDENTIAL AND IS THE
PROPERTY OF ASA Inc., ANY REPRODUCTION, DISTRIBUTION OR
USE IS PROHIBITED WITHOUT A WRITTEN CONSENT BY ASA Inc.

TITRE
SL90X - SL91X
GENERIC ELECTRICAL CONNECTIONS AND CONDUITS LAYOUT

ECHELLE/SCALE
NTS

FORMAT/SIZE
B

DATE
2012/01/26

FEUILLE/SHEET
3

DE/OF
3

DESSINÉ PAR
DRAWN BY JPS

VÉRIFIÉ PAR
CHECKED BY PWI

NO. DE DESSIN/DWG. NO.
REV
M