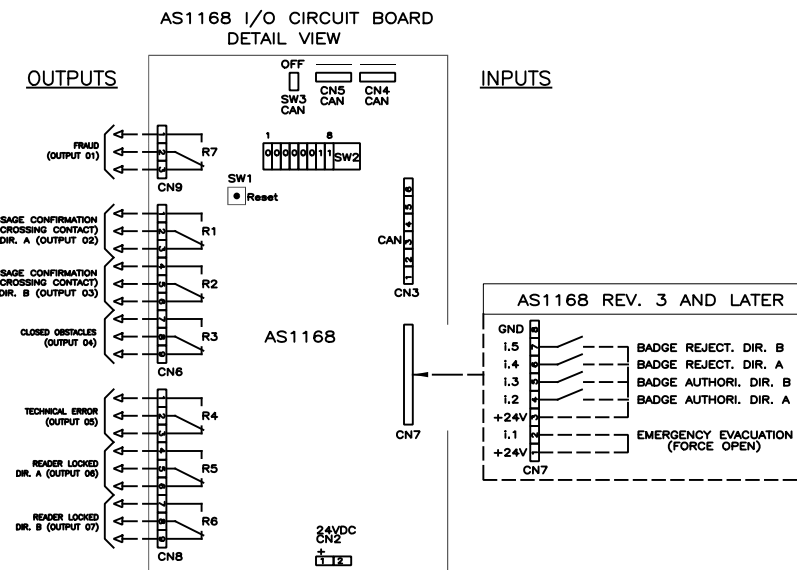
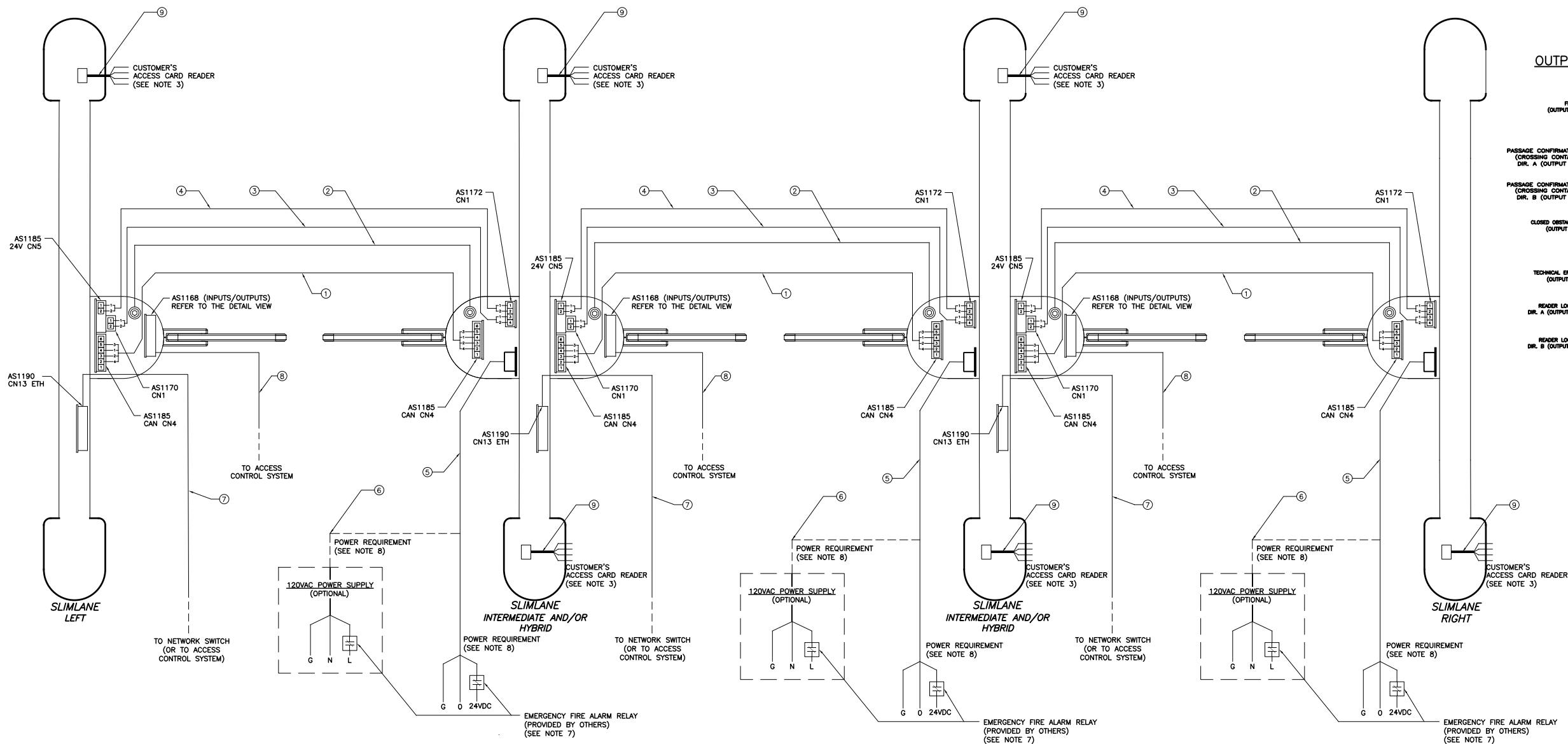


ELECTRICAL CONNECTIONS

#	DESCRIPTION	SUPPLIER	CONDUIT I.D.
1	"W25" LOW VOLTAGE CABLE, 4 COND.(2 PAIRS), 24 AWG, SHIELDED, 1/4"DIA. X 9.8FT (NOTE 1)	ASA	"C" CONDUIT
2	"W10" GROUND CABLE, 1 COND., 14 AWG, 9/64"DIA. X 6.5FT (NOTE 1)	ASA	"C" CONDUIT
3	"W14" LOW VOLTAGE CABLE, 2 COND., 18 AWG SHIELDED, 1/4" DIA. X 9.8FT (NOTE 1)	ASA	"C" CONDUIT
4	"W13" LOW VOLTAGE CABLE, 2 COND., 18 AWG SHIELDED, 1/4" DIA. X 9.8FT (NOTE 1)	ASA	"C" CONDUIT
5	POWER CABLE, 3 COND. 12GA, MAX LENGTH : 100' (NOTE 1 & NOTE 2)	CUSTOMER	"A" CONDUIT
6	POWER CABLE, 3 COND. 12GA, (IF 120V OPTION SELECTED) (NOTE 2)	CUSTOMER	"A" CONDUIT
7	ETHERNET CABLE, CAT 6	CUST./OPT.	"B" CONDUIT
8	I/O CABLE (SEE NOTE 5)	CUSTOMER	"B" CONDUIT
9	ACCESS CARD READER CABLE (DEPENDS ON SELECTED READER)	CUSTOMER	"B" CONDUIT



- NOTE 1: IF THE INSTALLATION REQUIRES LONGER CABLES, PLEASE CONTACT AUTOMATIC SYSTEMS FOR SUPPORT.
 NOTE 2: AS A REFERENCE ONLY. ALL LOCAL STANDARDS AND LAWS AS TO BE FOLLOWED AND RESPECTED.
 NOTE 3: THE ACCESS CARD READER IS USUALLY INSTALLED ON THE RIGHT-SIDE UNIT, IN RELATION TO PASSAGE DIRECTION.
 NOTE 4: ALL INPUTS ARE NORMALLY OPENED, EXCEPT FOR THE FORCE OPEN CONTACT INPUT.
 NOTE 5: THE NUMBER OF CONDUCTORS AND WIRE GAUGES REQUIRED IS DETERMINED BY THE CUSTOMER AND DEPENDS ON THE INPUTS AND OUTPUTS REQUIRED. PLEASE REFER TO THE AS1168 DETAIL VIEW.
 NOTE 6: FOR THE DETAILED ELECTRICAL DIAGRAM, PLEASE REFER TO THE DRAWING: NAM-SLIM-EL-01-BI.
 NOTE 7: FOR NON-FIRE EMERGENCIES, THE FORCE OPEN CONTACT ON THE AS1168 BOARD MAY BE USED TO HOLD OPEN THE LANE (INSTEAD OF CUTTING POWER). IT IS THE INTEGRATOR/CUSTOMER'S RESPONSIBILITY TO MAKE SURE A SOFTWARE TRIGGERED LANE OPENING RESPECTS LOCAL STANDARDS AND LAWS.
 NOTE 8: POWER REQUIREMENT: FOR STANDARD 24VDC UNITS: 15 A
 FOR OPTIONAL 120VAC UNITS: 6 A

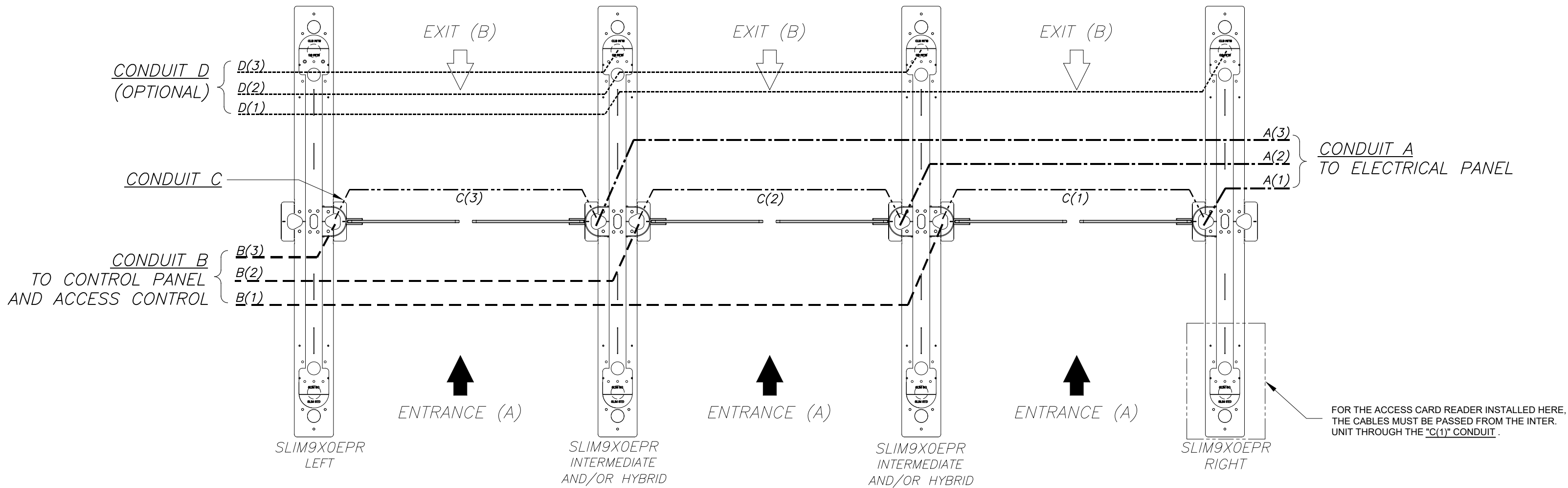
AUTOMATIC SYSTEMS MAKES NO REPRESENTATION AS TO THE PROPER POSITIONING OF THE SECURITY ENTRANCE LANES AT THE INSTALLATION LOCATION. ESTABLISHING THE LAYOUT AND PLACEMENT OF THE UNIT(S) AND DETERMINING COMPLIANCE WITH THE APPLICABLE BUILDING CODES, OTHER CODES, LAWS AND REGULATIONS IS THE SOLE RESPONSIBILITY OF THE PURCHASER. INSTALLATION MUST BE PERFORMED BY A QUALIFIED INSTALLER FOLLOWING MANUFACTURER'S INSTRUCTIONS, OTHERWISE AUTOMATIC SYSTEMS' WARRANTIES MAY BE VOID.

MATÉRIAU/MATERIAL	FICHER FILENAME	NAM-SLIM-EL-15-EN.DWG	
FABRICATION	TRAITEMENT/TREATMENT	EBARBER LES ARÊTES VIVES BREAK ALL SHARP EDGES	
Nb./App.	POIDS/WEIGHT	SURFACE	FINI/FINISH
		IMPERIAL X/X ±1/32" X.XX ±0.030" X.XXX ±0.015" X.XXX ±0.005"	METRIC X ±1mm X.X ±0.5mm X.XXX ±0.05mm
		ANGLES ± 1/2° SAUF SI INDIQUÉS UNLESS OTHERWISE NOTED	

DIMENSIONS	FORMAT			
	B			
AUTOMATIC SYSTEMS				
TITRE LAYOUT SLIMLANE 940/950 EPR 3 LANES				
TITRE GENERIC ELECTRICAL CONNECTIONS AND CONDUITS LAYOUT				
DESSINÉ PAR	ÉCHELLE/SCALE	DATE	FEUILLE/SHEET	DE/OF
DRAWN BY	JPS	N/A	2014/07/22	1 3
VÉRIFIÉ PAR	No. DESSIN/DWG. No.		REV.	
CHECKED BY	PWJ		NAM-SLIM-EL-15-EN	E

E	2021/12/06	MINOR ADJUSTMENTS AND CORRECTIONS	WDI/CLA
D	2021/04/29	CONDUIT OPENING SHAPE CHANGED	OHL/CLA
C	2021/03/23	MINOR ADJUSTMENTS AND CORRECTIONS	CLA
B	2017/01/31	CHANGE TEMPLATE DESIGN	JPS/SOS
REV.	DATE	MODIFICATIONS/CHANGES	PAR/BY

CONDUITS LAYOUT







NOTES:


- 1- THE NUMBER OF UNITS AND LANES MAY VARY DEPENDING ON CUSTOMER REQUIREMENTS, REFER TO THE SPECIFIC SIGNED LAYOUT DRAWINGS TO ADJUST THE NUMBER OF CONDUITS ACCORDINGLY.
- 2- ALL WIRING MUST MEET OR EXCEED STANDARDS AND CODES AND MUST BE INSTALLED BY A CERTIFIED TECHNICIAN.
- 3- 10' OF CABLE RUN MUST BE LEFT UNBURIED.
- 4- INSTALLATION OF A PULLING LINE BETWEEN EACH GATE IS RECOMMENDED.
- 5- UNITS MUST BE SECURED/ANCHORED TO THE STRUCTURAL FLOOR WITH THE PROVIDED HARDWARE PRIOR TO USE.
- 6- CONDUITS SHALL BE BURIED AT LEAST 5" BELOW THE FINISHED FLOOR SURFACE TO AVOID CONTACT WITH ANCHORS (2-3/4" LONG).


7- CONDUIT DETAILS:

- CONDUIT A-** USE : POWER CABLE (COMING FROM THE ELECTRICAL PANEL).
 SIZE : 3/4" SCH.40 PVC (OR OTHER WITH EQUIVALENT EXTERNAL DIAMETER).
 NOTE: SEPARATE POWER FEEDS ARE NECESSARY FOR EACH RIGHT AND INTERMEDIATE UNITS (CABLES SUPPLIED BY CUSTOMER).
- CONDUIT B-** USE : CONTROL PANEL AND ACCESS CONTROL. (READERS, BIOMETRIC ETC...) CABLES.
 SIZE : 3/4" SCH.40 PVC (OR OTHER WITH EQUIVALENT EXTERNAL DIAMETER).
 NOTE: CONDUIT TO EACH LEFT AND INTERMEDIATE UNITS. LOW VOLTAGE CABLES ONLY (CABLES SUPPLIED BY CUSTOMER, IF APPLICABLE).
- CONDUIT C-** USE: LOW VOLTAGE INTERCONNECTION CABLES.
 SIZE : 3/4" SCH.40 PVC (OR OTHER WITH EQUIVALENT EXTERNAL DIAMETER).
 NOTE: 1 CONDUIT PER LANE (CABLES SUPPLIED BY ASA).
- CONDUIT D- (OPTIONAL)** USE: ELEVATOR DISPATCH CABLES.
 SIZE : 3/4" SCH.40 PVC (OR OTHER WITH EQUIVALENT EXTERNAL DIAMETER).
 NOTE: 1 CONDUIT PER LANE (CABLES SUPPLIED BY CUSTOMER, IF APPLICABLE).

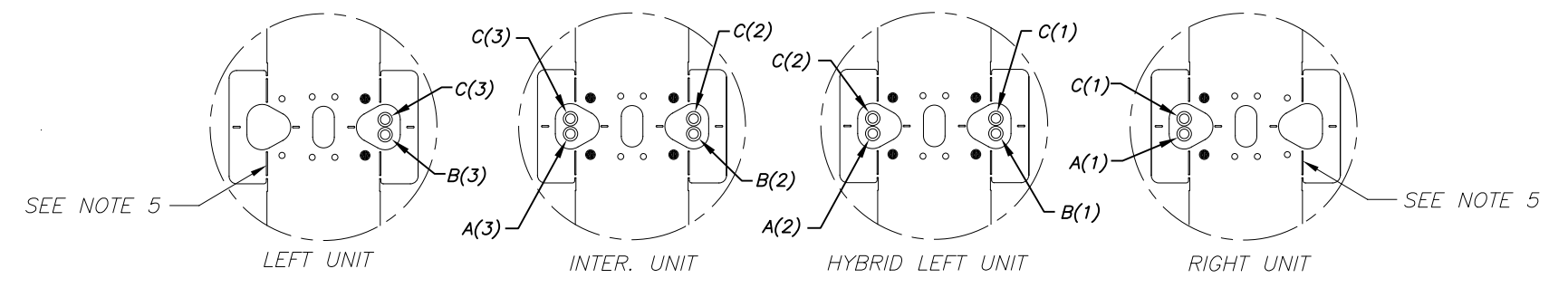
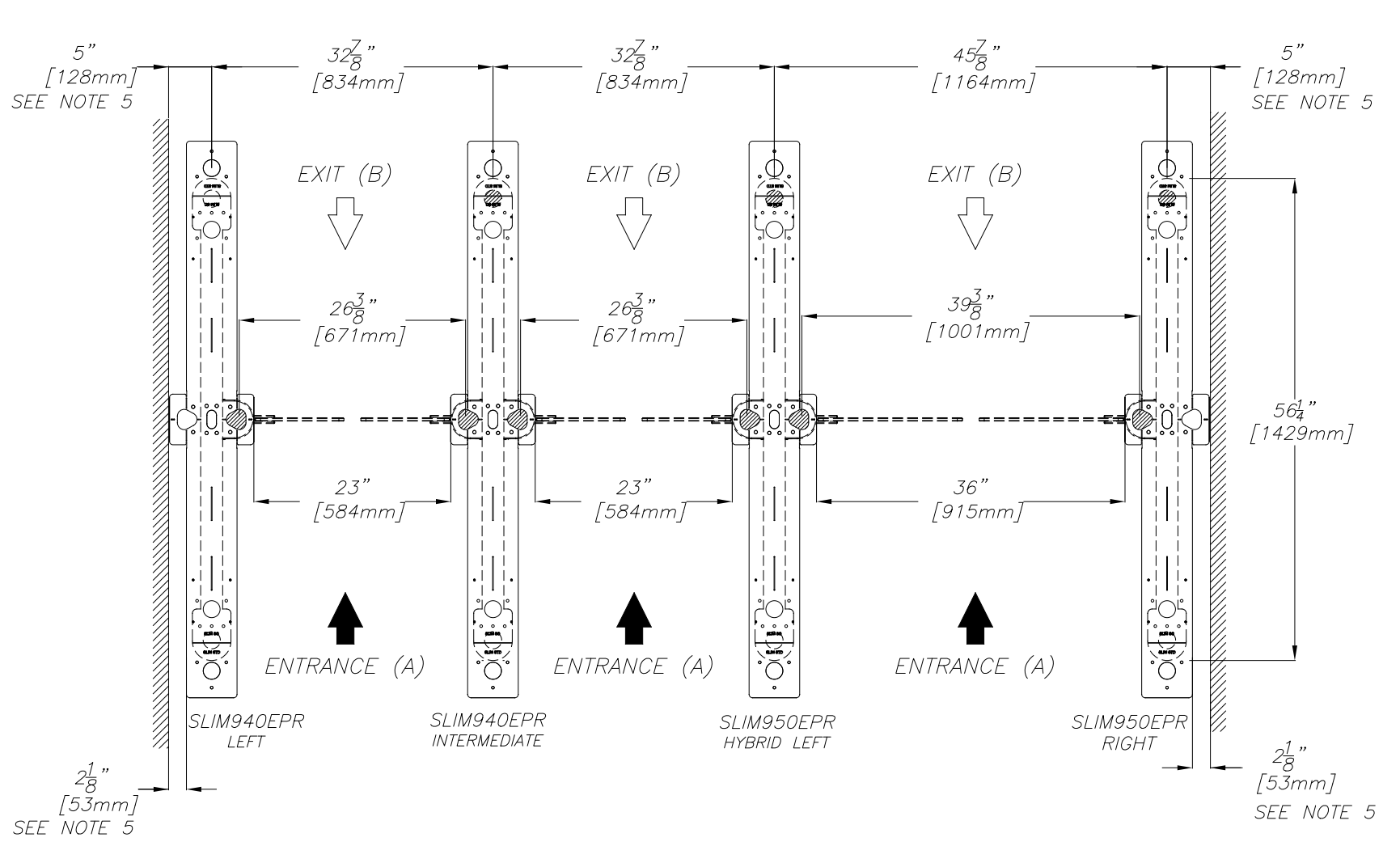
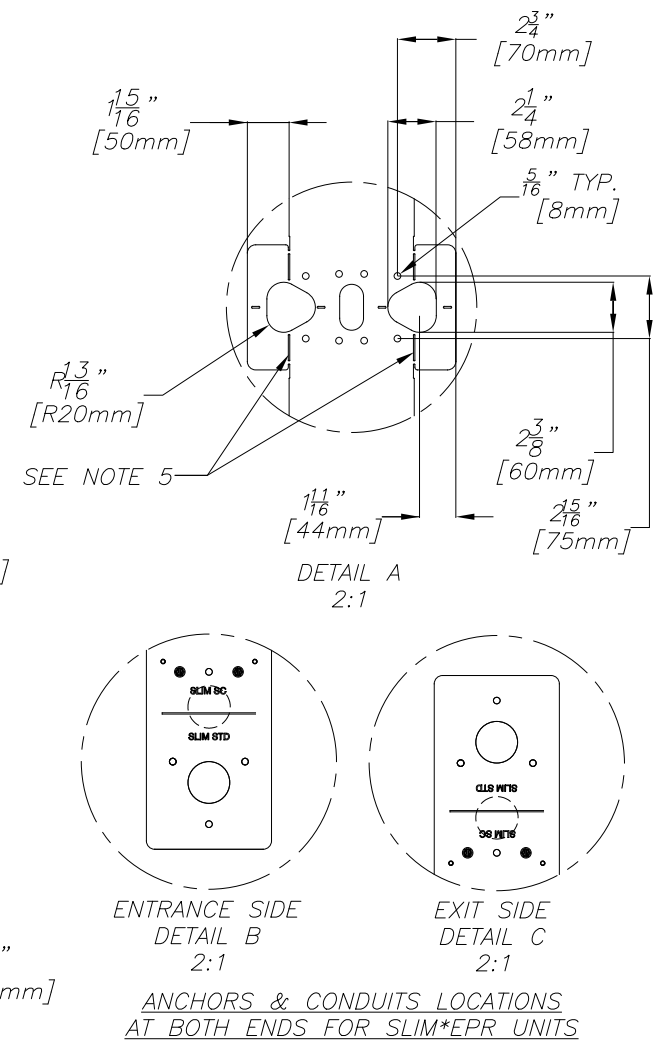
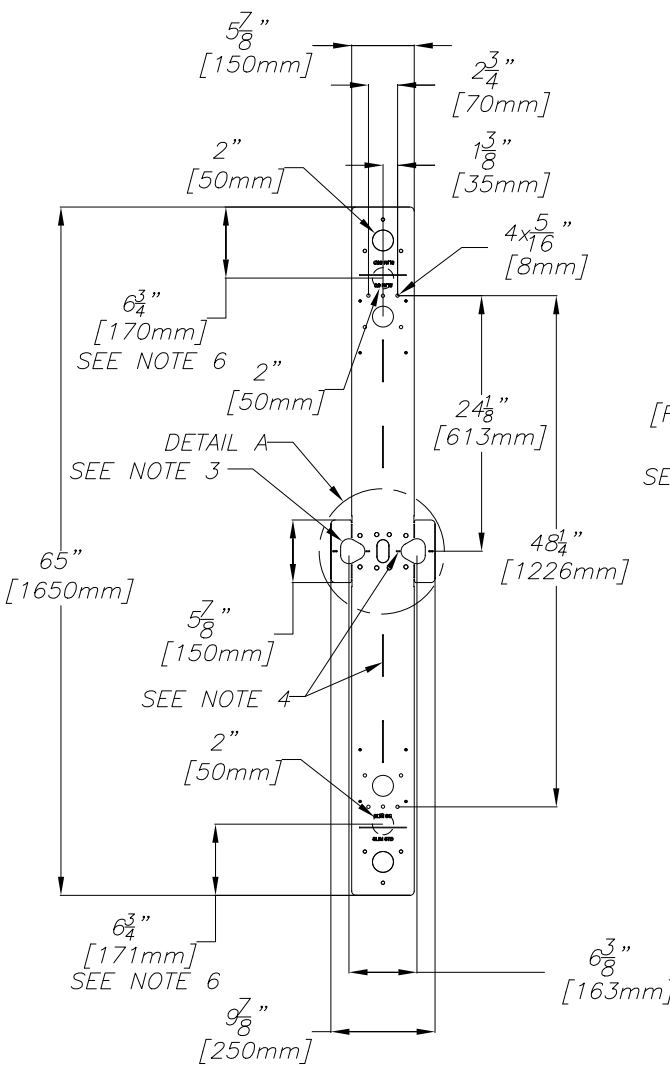
- CONDUIT A 
- CONDUIT B 
- CONDUIT C 
- CONDUIT D 

AUTOMATIC SYSTEMS MAKES NO REPRESENTATION AS TO THE PROPER POSITIONING OF THE SECURITY ENTRANCE LANES AT THE INSTALLATION LOCATION. ESTABLISHING THE LAYOUT AND PLACEMENT OF THE UNIT(S) AND DETERMINING COMPLIANCE WITH THE APPLICABLE BUILDING CODES, OTHER CODES, LAWS AND REGULATIONS IS THE SOLE RESPONSIBILITY OF THE PURCHASER. INSTALLATION MUST BE PERFORMED BY A QUALIFIED INSTALLER FOLLOWING MANUFACTURER'S INSTRUCTIONS, OTHERWISE AUTOMATIC SYSTEMS' WARRANTIES MAY BE VOID.

MATERIAU/MATERIAL		FICHER FILENAME		NAM-SLIM-EL-15-EN.DWG		
-		TRAITEMENT/TREATMENT		EBARBER LES ARÊTES VIVES BREAK ALL SHARP EDGES		
Nb./App.	POIDS/WEIGHT	SURFACE	FINI/FINISH	IMPERIAL	METRIC	
-	-	-	-	X/X ±1/32"	X ±1mm	
				X.X ±0.030"	X.X ±0.5mm	
				X.XX ±0.015"	X.XX ±0.05mm	
				X.XXX ±0.005"		
ANGLES				± 1/2 °		
INFORMATION DISCLOSED HERE IS CONFIDENTIAL AND IS THE PROPERTY OF ASA Inc., ANY REPRODUCTION, DISTRIBUTION OR USE IS PROHIBITED WITHOUT A WRITTEN CONSENT BY ASA Inc.				SAUF SI INDIQUÉS UNLESS OTHERWISE NOTED		

DIMENSIONS		FORMAT		REV.	DATE	MODIFICATIONS/CHANGES	PAR/BY
-		B					
							
TITRE SLIMLANE 940/950 EPR				TITRE GENERIC ELECTRICAL CONNECTIONS AND CONDUITS LAYOUT			
DESSINÉ PAR		ÉCHELLE/SCALE		DATE		FEUILLE/SHEET	
DRAWN BY		N/A		2014/07/22		2	
VÉRIFIÉ PAR		No. DESSIN/DWG. No.		REV.			
CHECKED BY		PWJ		NAM-SLIM-EL-15-EN		E	

SLIMLANE TEMPLATE POSITIONING LAYOUT



- NOTES:**
- 1- THE NUMBER OF UNITS AND LANES MAY VARY DEPENDING ON CUSTOMER REQUIREMENTS. REFER TO THE SPECIFIC SIGNED LAYOUT DRAWINGS FOR FINAL POSITIONING OF THE TEMPLATES.
 - 2- UNITS FIXED TO FLOOR WITH CHEMICAL ANCHORS, DRILL $\phi 1/2"$ X 2-3/4" DEEP. ANCHORS PROVIDED BY ASA, CHEMICAL ADHESIVE TO BE SUPPLIED BY CUSTOMER.
 - 3- HATCHED AREAS SHOW CONDUIT ENTRY ZONES.
 - 4- LINEAR CUTOUTS TO HELP ALIGN TEMPLATE ON CHALK LINE.
 - 5- FOLD AND BREAK TEMPLATE WHERE INDICATED TO INSTALL UNIT CLOSER TO THE WALL.
 - 6- REAL POSITION OF THE CONDUIT ENTRY HOLES FOR THE SLIMLANE EPR.

AUTOMATIC SYSTEMS MAKES NO REPRESENTATION AS TO THE PROPER POSITIONING OF THE SECURITY ENTRANCE LANES AT THE INSTALLATION LOCATION. ESTABLISHING THE LAYOUT AND PLACEMENT OF THE UNIT(S) AND DETERMINING COMPLIANCE WITH THE APPLICABLE BUILDING CODES, OTHER CODES, LAWS AND REGULATIONS IS THE SOLE RESPONSIBILITY OF THE PURCHASER. INSTALLATION MUST BE PERFORMED BY A QUALIFIED INSTALLER FOLLOWING MANUFACTURER'S INSTRUCTIONS, OTHERWISE AUTOMATIC SYSTEMS' WARRANTIES MAY BE VOID.

ANCHORS & CONDUITS LOCATIONS ACCORDING TO THE UNIT TYPE

MATERIAU/MATERIAL		FICHIER FILENAME		DIMENSIONS		FORMAT		REV.	DATE	MODIFICATIONS/CHANGES	PAR/BY
-		NAM-SLIM-EL-15-EN.DWG		-		B					
FABRICATION		TRAITEMENT/TREATMENT		-		-		AUTOMATIC SYSTEMS			
-		EBARBER LES ARÊTES VIVES BREAK ALL SHARP EDGES		-		-					
Nb./App. POIDS/WEIGHT		SURFACE		FINI/FINISH		-		TITRE SLIMLANE 940/950 EPR			
-		-		-		-		TITRE GENERIC ELECTRICAL CONNECTIONS AND CONDUITS LAYOUT			
-		-		-		-		DESINÉ PAR		ECHILLE/SCALE	
-		-		-		-		DRAWN BY		DATE	
-		-		-		-		JPS		2014/07/22	
-		-		-		-		VERIFIÉ PAR		FEUILLE/SHEET	
-		-		-		-		PWI		3	
-		-		-		-		No. DESSIN/DWG. No.		DE/OF	
-		-		-		-		NAM-SLIM-EL-15-EN		3	
-		-		-		-		CHECKED BY		REV.	
-		-		-		-		-		E	

LES INFORMATIONS CONTENUES SUR LES DESSINS DE ASA Inc. SONT CONFIDENTIELLES ET SONT LA PROPRIÉTÉ DE ASA Inc. TOUTES REPRODUCTIONS, DISTRIBUTIONS OU UTILISATIONS SONT INTERDITES SANS LA PERMISSION ÉCRITE DE ASA Inc.

INFORMATION DISCLOSED HERE IS CONFIDENTIAL AND IS THE PROPERTY OF ASA Inc., ANY REPRODUCTION, DISTRIBUTION OR USE IS PROHIBITED WITHOUT A WRITTEN CONSENT BY ASA Inc.

ANGLES $\pm 1/2^\circ$
SAUF SI INDIQUÉS
UNLESS OTHERWISE NOTED